

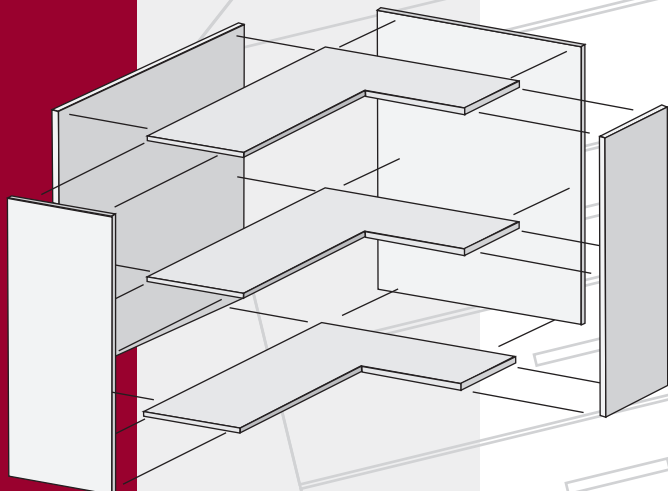
ALLBOARD

DISTRIBUTORS

Cut to Size & CNC Routing

Modular Kitchen Units

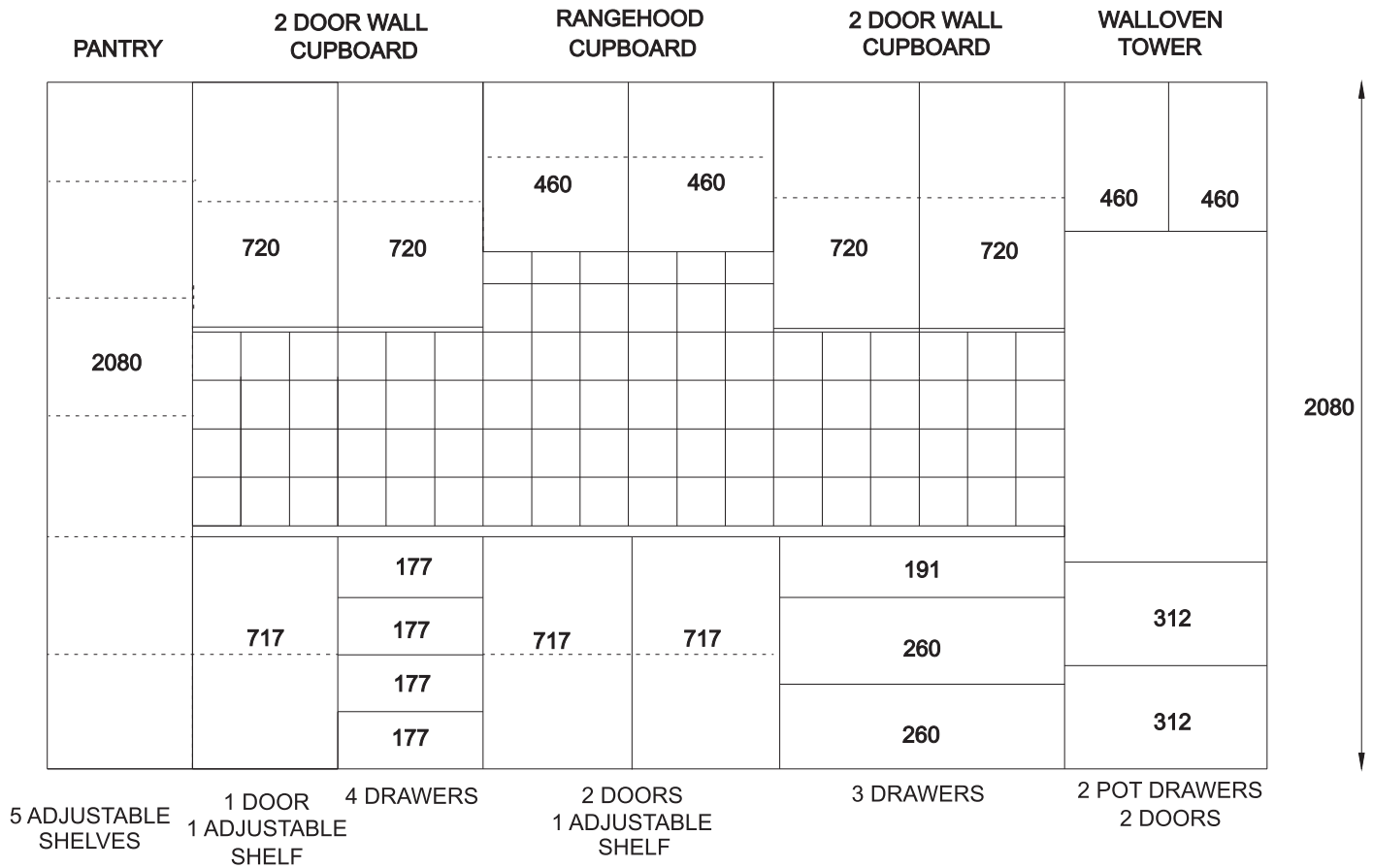
Modular Kitchen Units



BRANCH LOCATIONS
33 Jersey Rd, Bayswater Ph: 9721 5700
129 Abbott Rd. Hallam Ph: 9721 5760
61 Yale Dve. Epping Ph: 9721 5780

email: info@allboard.com.au

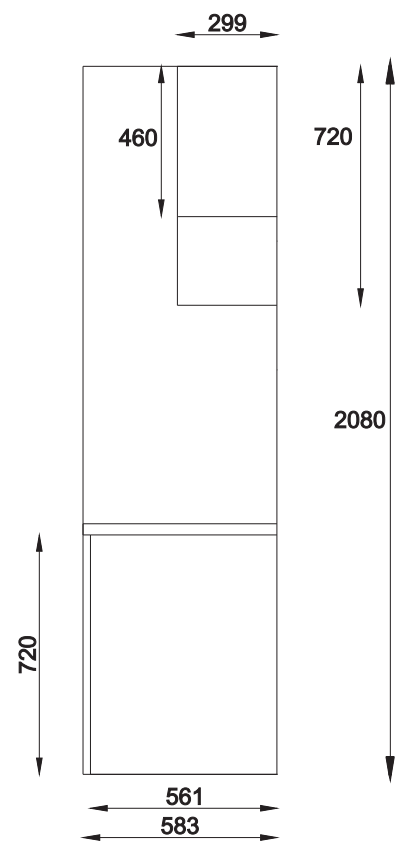
www.allboard.com.au



SPECIFICATIONS

Quality kitchen Cabinet Components

- Each cabinet is separately packed
- Each cabinet contains assembly screws and shelf supports
- Each cabinet contains assembly instructions
- Cabinets are manufactured from 16mm Highly Moisture Resistant Australian Particleboard, white melamine finish
- All cabinets incorporate a 16mm solid back
- All base and wall cabinets are drilled to support an adjustable shelf
- All drawer cabinets are supplied with soft close drawers
- Drawers can be converted to push to open
- 1mm PVC edging
- Benchtops and doors available to suit units. POA
- Easy to assemble
- Designs meet Australian standards



Allboard Distributors have been operating in the board cut to size industry for over 30 years. With locations throughout Melbourne, we are able to provide a quality service for all your board, cabinetry, drilling and cutting needs.

Specializing in:

- All Laminates
- All Colourboard
- Cabinet Hardware
- Plywood
- Benchtops & Doors
- Kitchen Components cut from Australian made Particleboard
- MDF & Particleboard
- Storage Solutions
- Kitchens and Wardrobes

Whilst all care is taken to ensure that products conform with the descriptions contained herein, the Company shall not be liable for minor variations produced as a result of the normal production process.

No responsibility is held for printing errors or mistakes that might occur in the catalogue.

The company reserves the right to improve the products contained herein from time to time and to add to and withdraw its range of products as required.

Due to our continuous product development programme, we reserve the right to change product specifications, colours and finishes without notice. If this happens, the availability of spares to that specification, colour or finish will cease simultaneously.

Visit our website

www.allboard.com.au

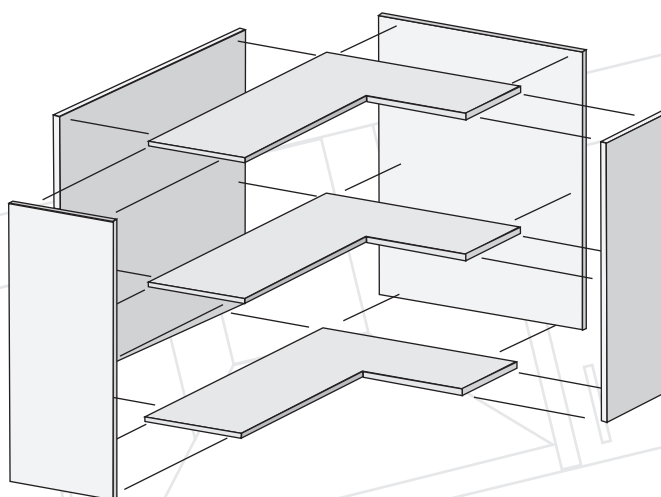
to get a free, no obligation quote, to place an order online or to view our product range and services available.

Visit one of our showrooms

BAYSWATER, HALLAM & EPPING

To see...

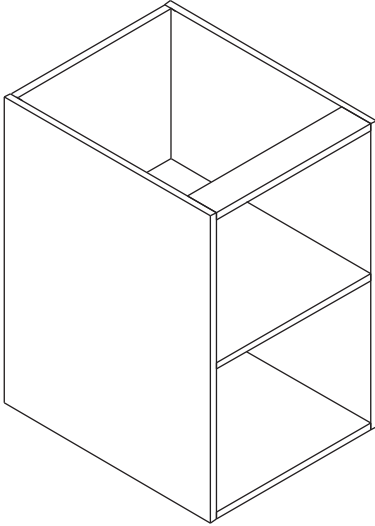
- Colour samples and full colour range
- Handles and other accessories
- "Push to open" and "Soft close" doors
- Benchtop and Door options, including timber
- And much more.



CONTENTS

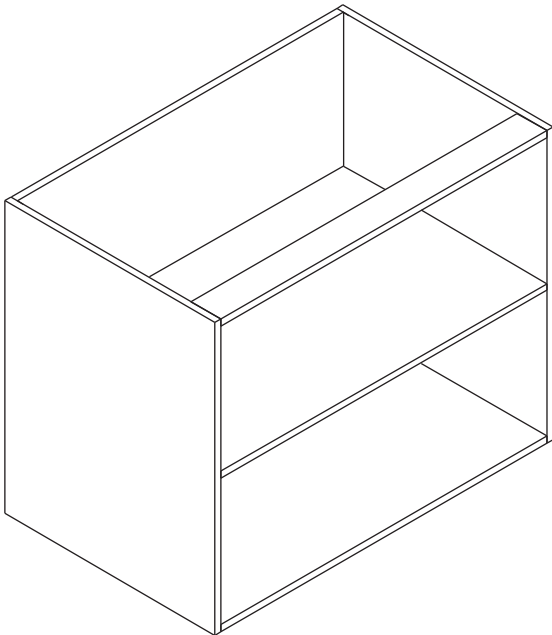
SPECIFICATIONS	1
CONTENTS & INTRO	2
BASE UNITS	3
DRAWER UNITS	4
DRAWER UNITS	5
UNDER BENCH OVEN	5
DRAWER UNITS WALLOVEN BASE	6
CORNER BASE UNITS	7
OVERHEAD CORNER UNITS	8
WALL UNITS	9
FRIDGE UNITS	10
RANGEHOOD UNITS	10
PANTRY UNITS	11
CORNER PANTRY	12
BROOM CUPBOARDS	12
WARDROBE UNITS	13
EXAMPLE OF KITCHEN PLAN	14

BASE UNITS



1 DOOR BASE CABINET		DOOR		
CODE	SIZE HxWxD	QTY	SIZE HxW	DRILLING DETAILS
KITBASE0250	720 x 250 x 561	1	717 x 247	87/87
KITBASE0300	720 x 300 x 561	1	717 x 297	87/87
KITBASE0350	720 x 350 x 561	1	717 x 347	87/87
KITBASE0400	720 x 400 x 561	1	717 x 397	87/87
KITBASE0450	720 x 450 x 561	1	717 x 447	87/87
KITBASE0500	720 x 500 x 561	1	717 x 497	87/87
KITBASE0550	720 x 550 x 561	1	717 x 547	87/87
KITBASE0600	720 x 600 x 561	1	717 x 597	87/87

DOORS NOT INCLUDED

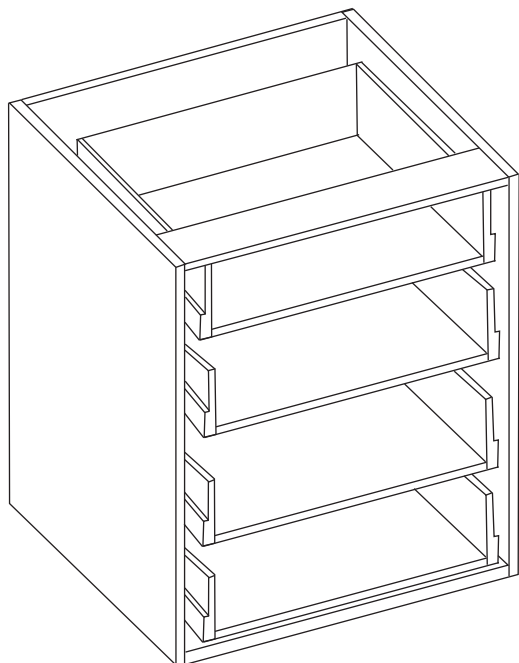


2 DOOR BASE CABINET		DOOR		
CODE	SIZE HxWxD	QTY	SIZE HxW	DRILLING DETAILS
KITBASE0600	720 x 600 x 561	2	717 x 297	87/87
KITBASE0650	720 x 650 x 561	2	717 x 322	87/87
KITBASE0700	720 x 700 x 561	2	717 x 347	87/87
KITBASE0750	720 x 750 x 561	2	717 x 372	87/87
KITBASE0800	720 x 800 x 561	2	717 x 397	87/87
KITBASE0850	720 x 850 x 561	2	717 x 422	87/87
KITBASE0900	720 x 900 x 561	2	717 x 447	87/87
KITBASE1000	720 x 1000 x 561	2	717 x 497	87/87

DOORS NOT INCLUDED

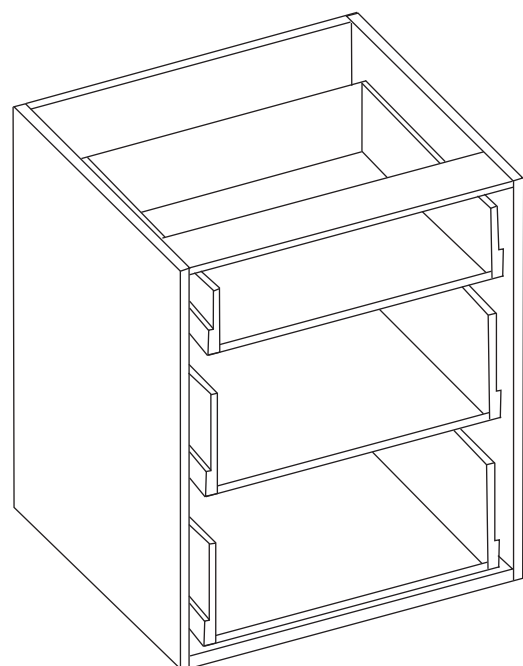
Visit our website

DRAWER UNITS



4 DRAWER BASE CABINET		DRAWER FRONT		
CODE	SIZE HxWxD	QTY	SIZE HxW	DRILLING DETAILS
KITDRAWERCABSC040400	720 x 400 x 561	4	177 x 397	4 DR SC
KITDRAWERCABSC040450	720 x 450 x 561	4	177 x 447	4 DR SC
KITDRAWERCABSC040500	720 x 500 x 561	4	177 x 497	4 DR SC
KITDRAWERCABSC040600	720 x 600 x 561	4	177 x 597	4 DR SC

DRAW FRONTS NOT INCLUDED



3 DRAWER BASE CABINET		DRAWER FRONT		
CODE	SIZE HxWxD	QTY	SIZE HxW	DRILLING DETAILS
KITDRAWERCABSC030600	720 x 600 x 561	1 2	191 x 597 260 x 597	3 DR SC
KITDRAWERCABSC030700	720 x 700 x 561	1 2	191 x 697 260 x 697	3 DR SC
KITDRAWERCABSC030800	720 x 800 x 561	1 2	191 x 797 260 x 797	3 DR SC
KITDRAWERCABSC030900	720 x 900 x 561	1 2	191 x 897 260 x 897	3 DR SC
KITDRAWERCABSC031000	720 x 1000 x 561	1 2	191 x 997 260 x 997	3 DR SC

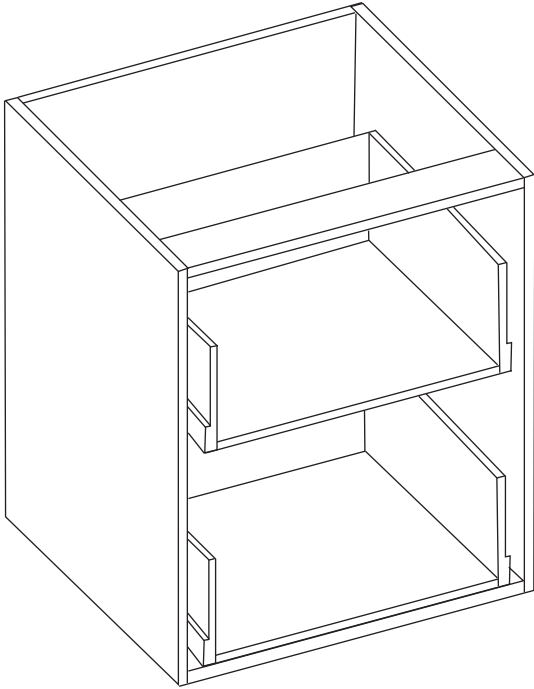
DRAW FRONTS NOT INCLUDED

Note: All drawer cabinets are supplied with Soft Close metal sided drawers.

Drawer front drilling can be done on request.

Drawers can be converted to push to open.

DRAWER UNITS

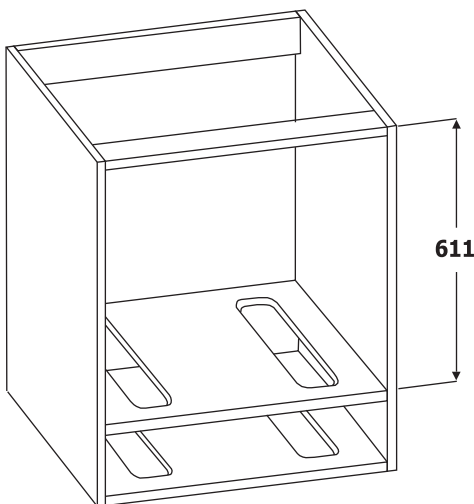


2 DRAWER BASE CABINET		DRAWER FRONT		
CODE	SIZE HxWxD	QTY	SIZE HxW	DRILLING DETAILS
KITDRAWERCABSC020600	720 x 600 x 561	2	357 x 597	2 DR SC
KITDRAWERCABSC020700	720 x 700 x 561	2	357 x 697	2 DR SC
KITDRAWERCABSC020800	720 x 800 x 561	2	357 x 797	2 DR SC
KITDRAWERCABSC020900	720 x 900 x 561	2	357 x 897	2 DR SC
KITDRAWERCABSC021000	720 x 1000 x 561	2	357 x 997	2 DR SC

DRAW FRONTS NOT INCLUDED

Note: All drawer cabinets are supplied with Soft Close metal sided drawers.
 Drawer front drilling can be done on request.
 Drawers can be converted to push to open.

UNDERBENCH OVEN

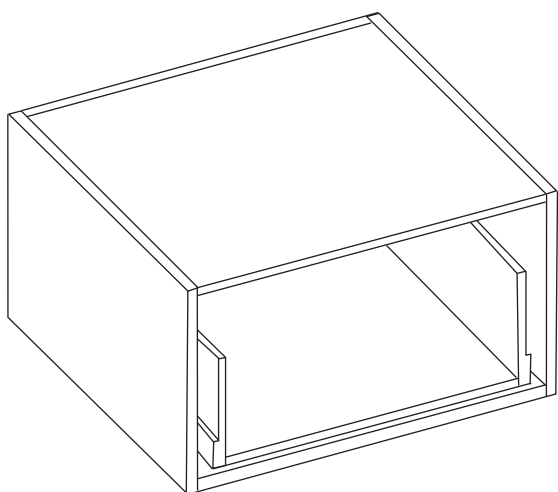


UNDERBENCH OVEN CABINET	
CODE	SIZE HxWxD
KITUBOVEN0600	720 x 600 x 561
KITUBOVEN0900	720 x 900 x 561

Top and bottom panel size dependent on oven size.

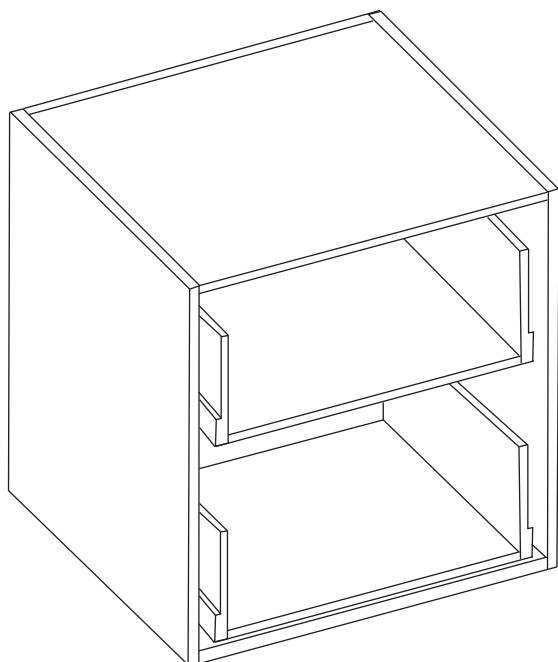
Visit one of our Showrooms

DRAWER UNITS (WALL OVEN BASE)



WALLOVEN BASE CABINETS		DRAWER FRONT		
CODE	SIZE HxWxD	QTY	SIZE HxW	DRILLING DETAILS
KITWOVEN1 DRAWER600	338 x 600 x 561	1	336 x 597	1 DR WO

DRAW FRONTS NOT INCLUDED



WALLOVEN BASE CABINETS		DRAWER FRONT		
CODE	SIZE HxWxD	QTY	SIZE HxW	DRILLING DETAILS
KITWOVEN2 DRAWER600	630 x 600 x 561	2	312 x 596	2 DR WO

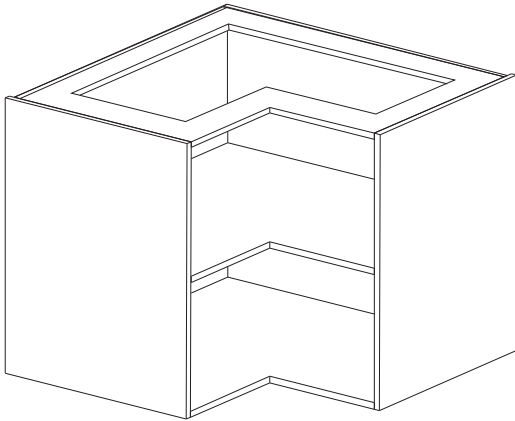
DRAW FRONTS NOT INCLUDED

Note: All drawer cabinets are supplied with Soft Close metal sided drawers.

Drawer front drilling can be done on request.

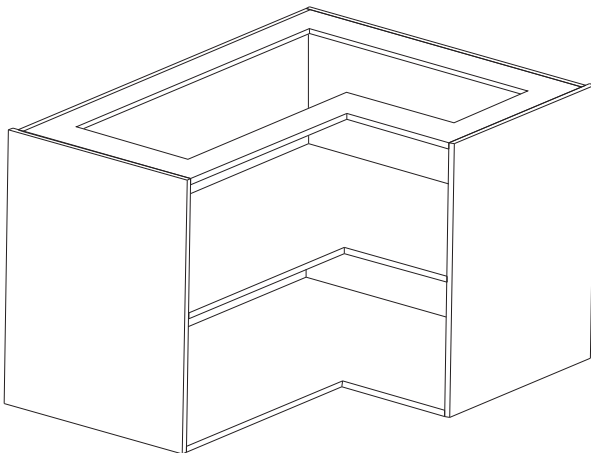
Drawers can be converted to push to open.

CORNER BASE UNITS



2 DOOR CORNER BASE UNIT		DOORS		
CODE	SIZE HxWxD	QTY	SIZE HxW	DRILLING DETAILS
KITCORNERBASE 0900X0800	720 x 900 x 800 x 561	1	717 x 316	87/87 BIFOLD
		1	717 x 216	NIL
KITCORNERBASE 0900X0900	720 x 900 x 900 x 561	1	717 x 316	87/87 BIFOLD
		1	717 x 316	NIL

DOORS NOT INCLUDED



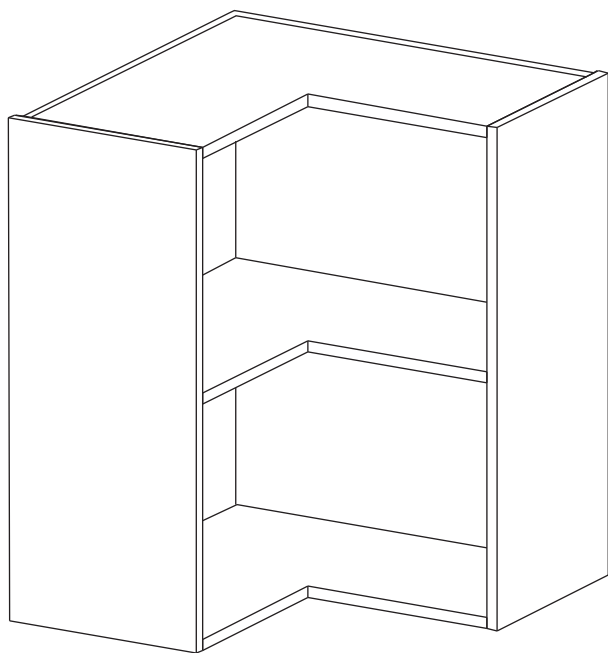
3 DOOR CORNER BASE UNIT		DOOR		
CODE	SIZE HxWxD	QTY	SIZE HxW	DRILLING DETAILS
KITCORNERBASE 1200X0900	720 x 900 x 1200 x 561	1	717 x 316	87/87 BIFOLD
		1	717 x 307	87/87
		1	717 x 307	NIL

DOORS NOT INCLUDED

- NOTE: 1) KITCORNERBASE900X900 HAS LEG HOLES
 2) 900 x 800 and 900 x 1200 DO NOT HAVE LEG HOLES
 3) DOOR SIZES BASED ON 18mm BOARD
 4) SQUARE EDGES REQUIRED ON TWO ADJOINING DOORS

Visit our website

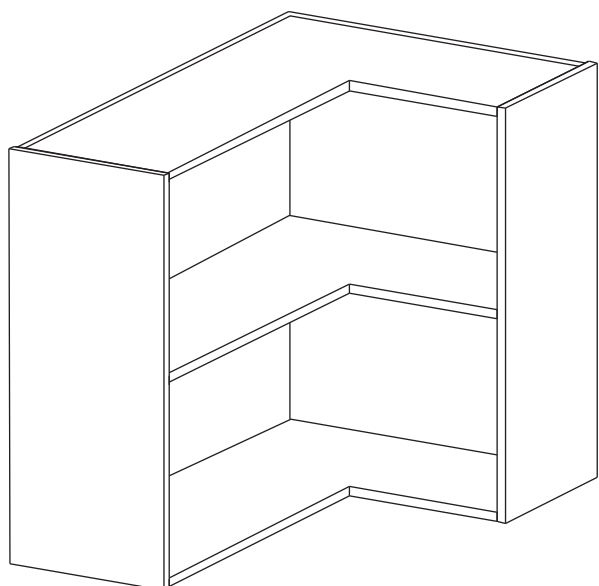
OVERHEAD CORNER UNITS



2 DOOR WALL CORNER CABINET			DOOR		
CODE	SIZE HxWxD	QTY	SIZE HxW	DRILLING DETAILS	
KITCORNERWALL 0600X0600	720 x 600 x 600 x 299	1	720 x 276	87/87 BIFOLD	
		1	720 x 276	NIL	

DOORS NOT INCLUDED

NOTE: 1/ DOORS SIZES BASED ON 18mm BOARD
2/ SQUARE EDGES REQUIRED ON TWO ADJOINING DOORS

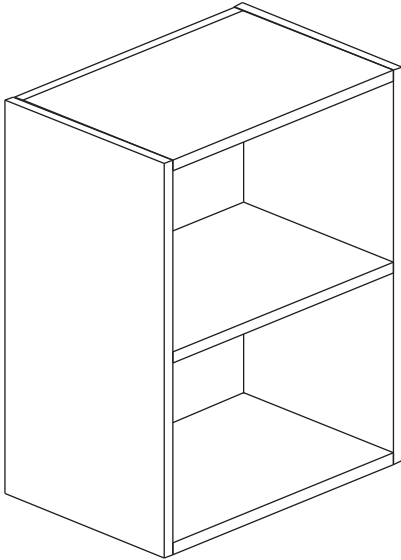


3 DOOR WALL CORNER CABINET			DOOR		
CODE	SIZE HxWxD	QTY	SIZE HxW	DRILLING DETAILS	
KITCORNERWALL 0900X0600	720 x 600 x 900 x 299	1	720 x 297	87/87	
		1	720 x 276	NIL	
		1	720 x 276	87/87 BIFOLD	

DOORS NOT INCLUDED

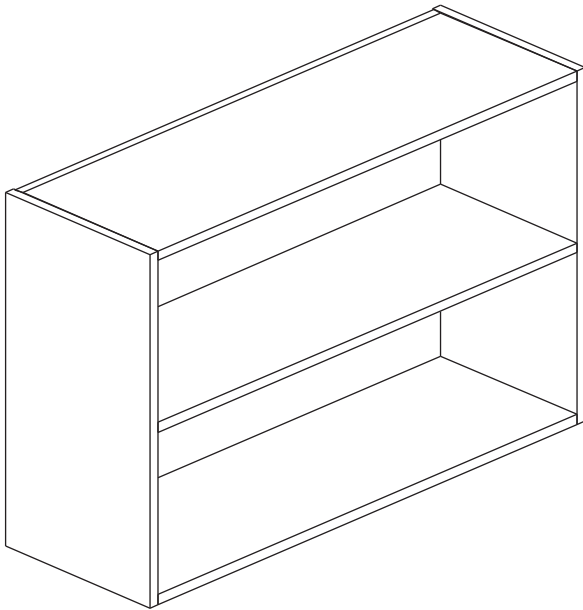
NOTE: 1/ DOORS SIZES BASED ON 18mm BOARD
2/ SQUARE EDGES REQUIRED ON TWO ADJOINING DOORS

WALL UNITS



1 DOOR WALL CABINET		DOOR		
CODE	SIZE HxWxD	QTY	SIZE HxW	DRILLING DETAILS
KITWALL0250	720 x 250 x 299	1	720 x 247	87/87
KITWALL0300	720 x 300 x 299	1	720 x 297	87/87
KITWALL0350	720 x 350 x 299	1	720 x 347	87/87
KITWALL0400	720 x 400 x 299	1	720 x 397	87/87
KITWALL0450	720 x 450 x 299	1	720 x 447	87/87
KITWALL0500	720 x 500 x 299	1	720 x 497	87/87
KITWALL0550	720 x 550 x 299	1	720 x 547	87/87
KITWALL0600	720 x 600 x 299	1	720 x 597	87/87

DOORS NOT INCLUDED

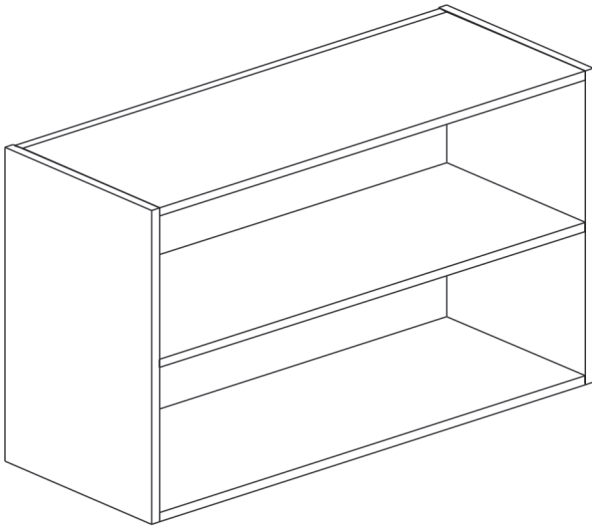


2 DOOR WALL CABINET		DOOR		
CODE	SIZE HxWxD	QTY	SIZE HxW	DRILLING DETAILS
KITWALL0600	720 x 600 x 299	2	720 x 297	87/87
KITWALL0650	720 x 650 x 299	2	720 x 322	87/87
KITWALL0700	720 x 700 x 299	2	720 x 347	87/87
KITWALL0750	720 x 750 x 299	2	720 x 372	87/87
KITWALL0800	720 x 800 x 299	2	720 x 397	87/87
KITWALL0850	720 x 850 x 299	2	720 x 422	87/87
KITWALL0900	720 x 900 x 299	2	720 x 447	87/87
KITWALL1000	720 x 1000 x 299	2	720 x 497	87/87

DOORS NOT INCLUDED

Visit one of our Showrooms

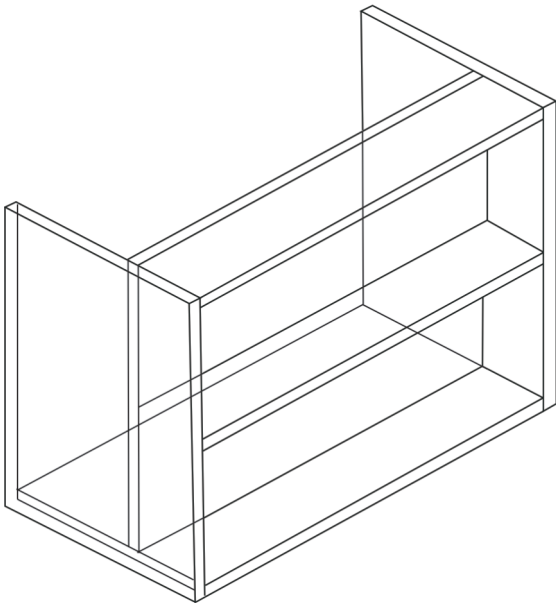
FRIDGE UNITS



FRIDGE WALL CABINET		DOOR		
CODE	SIZE HxWxD	QTY	SIZE HxW	DRILLING DETAILS
KITFRIDGE0600	460 x 600 x 299	2	460 x 297	87/87
KITFRIDGE0700	460 x 700 x 299	2	460 x 347	87/87
KITFRIDGE0750	460 x 750 x 299	2	460 x 372	87/87
KITFRIDGE0800	460 x 800 x 299	2	460 x 397	87/87
KITFRIDGE0850	460 x 850 x 299	2	460 x 422	87/87
KITFRIDGE0900	460 x 900 x 299	2	460 x 447	87/87
KITFRIDGE1000	460 x 1000 x 299	2	460 x 497	87/87

DOORS NOT INCLUDED

RANGEHOOD UNITS

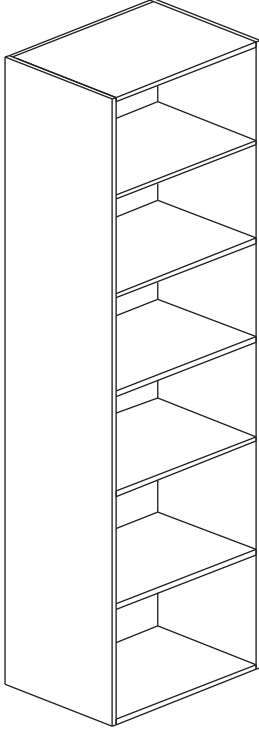


RANGEHOOD CABINET		DOOR		
CODE	SIZE HxWxD	QTY	SIZE HxW	DRILLING DETAILS
KITRANGEHOOD0600	460 x 600 x 299	2	TBA x 297	TBA
KITRANGEHOOD0900	460 x 900 x 299	2	TBA x 447	TBA

DOORS NOT INCLUDED

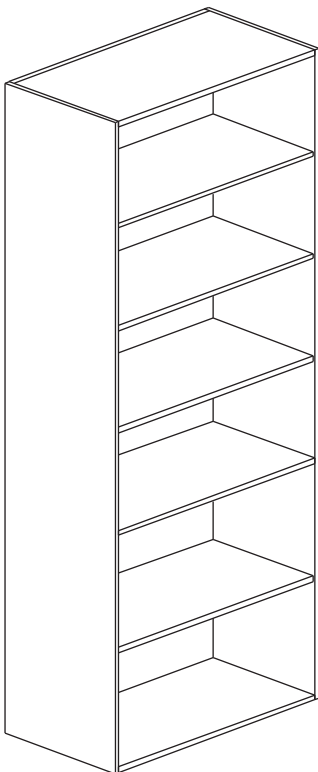
Note: Door size may vary depending on rangehood set up.

PANTRY UNITS



1 DOOR PANTRY CABINET		DOOR		
CODE	SIZE HxWxD	QTY	SIZE HxW	DRILLING DETAILS
KITPANTRY0400	2080 x 400 x 583	1	2080 x 397	87/671/671/87
KITPANTRY0450	2080 x 450 x 583	1	2080 x 447	87/671/671/87
KITPANTRY0500	2080 x 500 x 583	1	2080 x 497	87/671/671/87
KITPANTRY0600	2080 x 600 x 583	1	2080 x 597	87/671/671/87

DOORS NOT INCLUDED



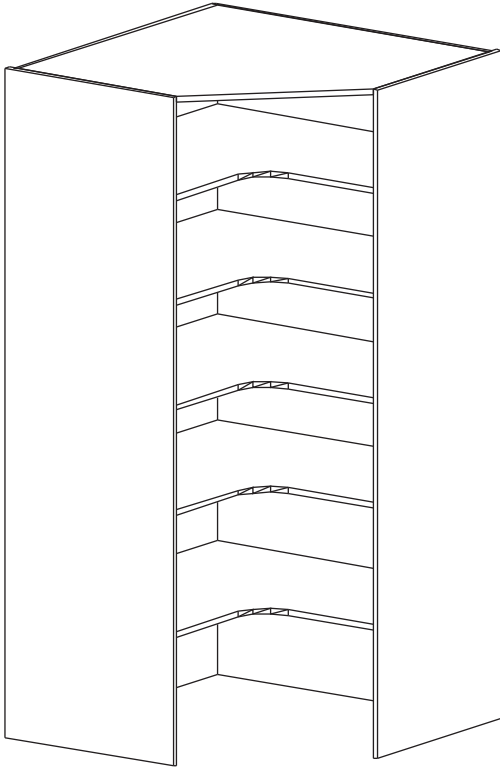
2 DOOR PANTRY CABINET		DOOR		
CODE	SIZE HxWxD	QTY	SIZE HxW	DRILLING DETAILS
KITPANTRY0600	2080 x 600 x 583	2	2080 x 297	87/671/671/87
KITPANTRY0700	2080 x 700 x 583	2	2080 x 347	87/671/671/87
KITPANTRY0800	2080 x 800 x 583	2	2080 x 397	87/671/671/87
KITPANTRY0900	2080 x 900 x 583	2	2080 x 447	87/671/671/87
KITPANTRY1000	2080 x 1000 x 583	2	2080 x 497	87/671/671/87

DOORS NOT INCLUDED

NOTE: PANTRY UNITS HAVE 5 ADJUSTABLE SHELVES.

Visit our website

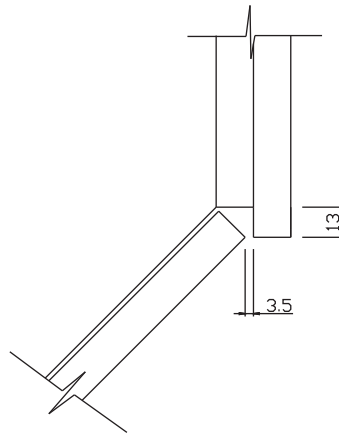
CORNER PANTRY



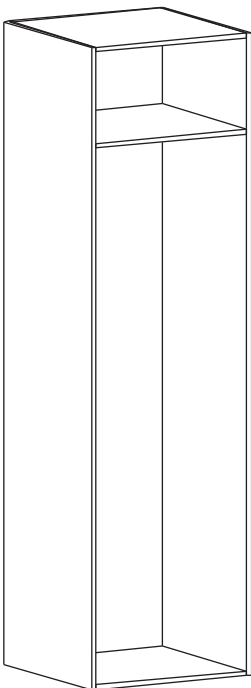
1 DOOR CORNER PANTRY		DOOR		
CODE	SIZE HxWxD	QTY	SIZE HxW	DRILLING DETAILS
KITCORNERPANTRY 1000X1000	2230 x 1000 x 1000 x 589	1	2210 x 563	87/671/671/87

DOORS NOT INCLUDED

NOTE: DOOR SIZES BASED ON 18mm THICK DOOR USING GRASS 45° 3mm CRANKED HINGE



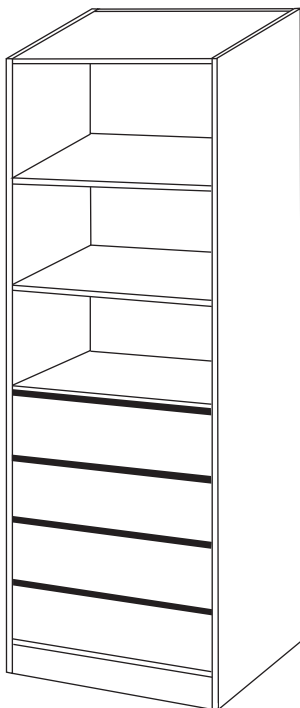
BROOM CUPBOARDS



1 DOOR BROOM CABINET		DOOR		
CODE	SIZE HxWxD	QTY	SIZE HxW	DRILLING DETAILS
KITBROOM0400	2080 x 400 x 583	1	2080 x 397	87/671/671/87
KITBROOM0600	2080 x 600 x 583	1	2080 x 597	87/671/671/87

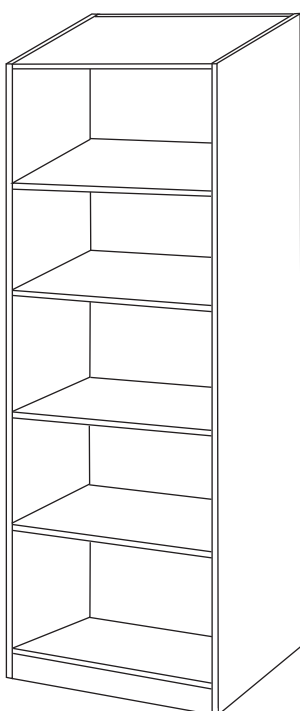
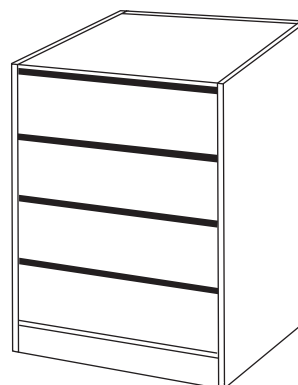
DOORS NOT INCLUDED

WARDROBE UNITS



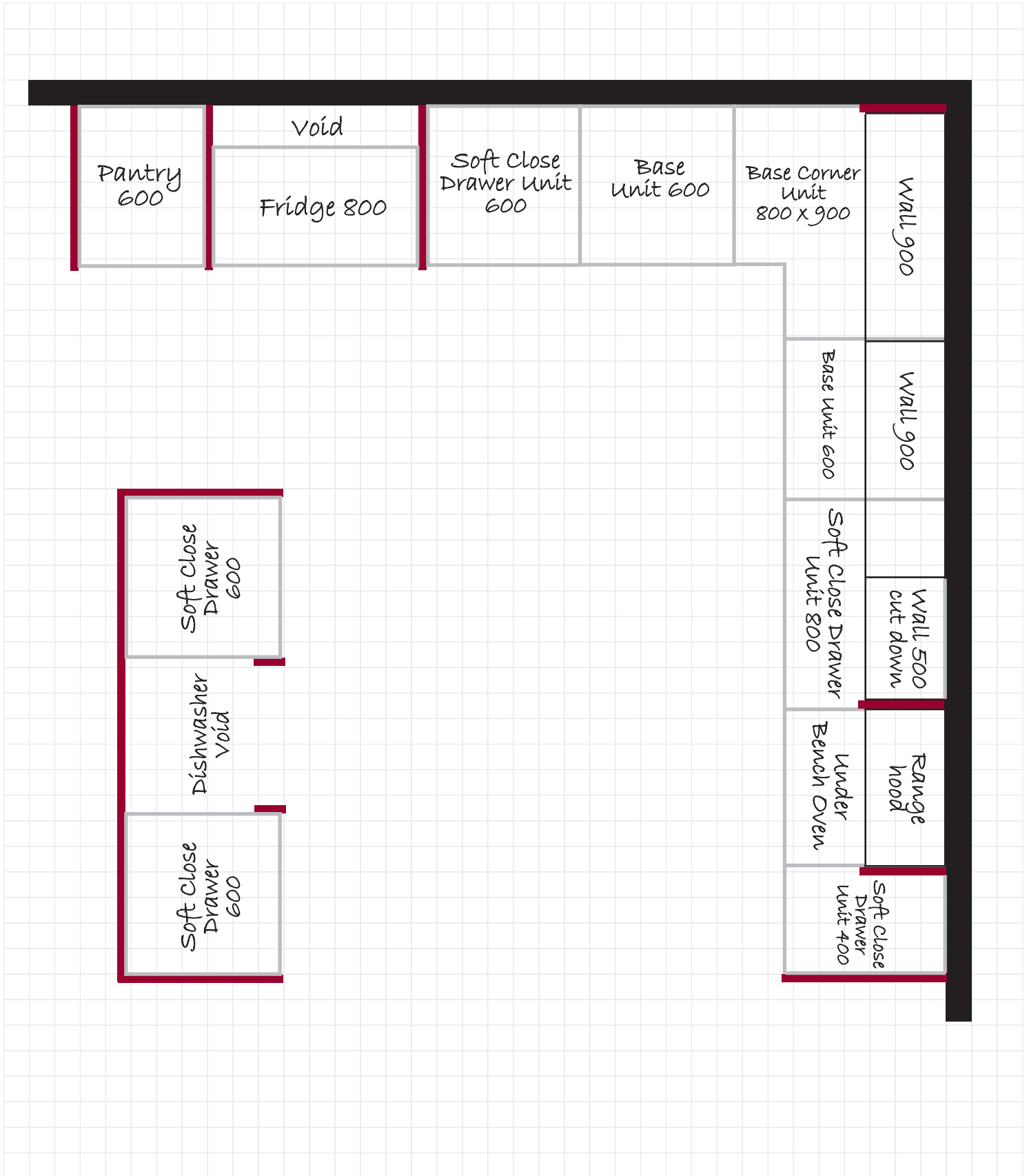
4 DRAWER 2 SHELF UNIT	
CODE	SIZE HxWxD
WAR18004DRAW450	1800 x 450 x 445
WAR18004DRAW600	1800 x 600 x 445

4 DRAWER UNIT	
CODE	SIZE HxWxD
WAR7914DRAW450	791 x 450 x 445
WAR7914DRAW600	791 x 600 x 445



FULL SHELF (4) UNIT	
CODE	SIZE HxWxD
WAR1800SHELF450	1800 x 450 x 445
WAR1800SHELF600	1800 x 600 x 445

Here is an example of how to draw your kitchen layout.



Note- it may be easier to consider each box to be 100mm x 100mm

ALLBOARD

DISTRIBUTORS

Cut to Size & CNC Routing



HEAD OFFICE

33 Jersey Road Bayswater Vic 3153

Ph: 9721 5700

email: info@allboard.com.au

PRODUCTION

357 Dorset Road, Boronia Vic 3155

Ph: 9721 5740

email: cutting@allboard.com.au



SALES HALLAM

129 Abbott Road, Hallam VIC 3803

Ph: 9721 5760

email: hallam@allboard.com.au



SALES EPPING

61 Yale Drive, Epping Vic 3076

Ph: 9721 5780

email: epping@allboard.com.au

www.allboard.com.au